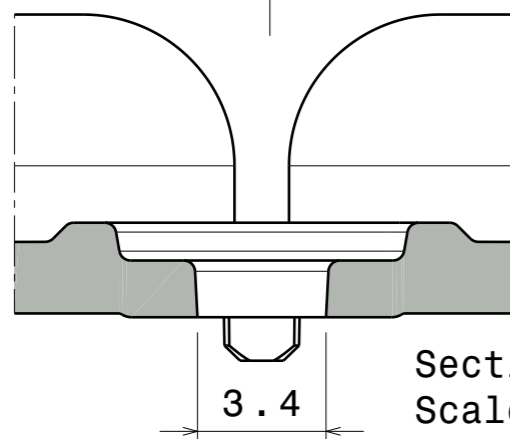
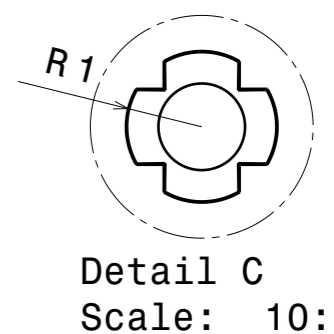
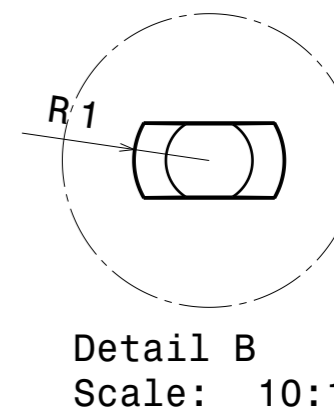
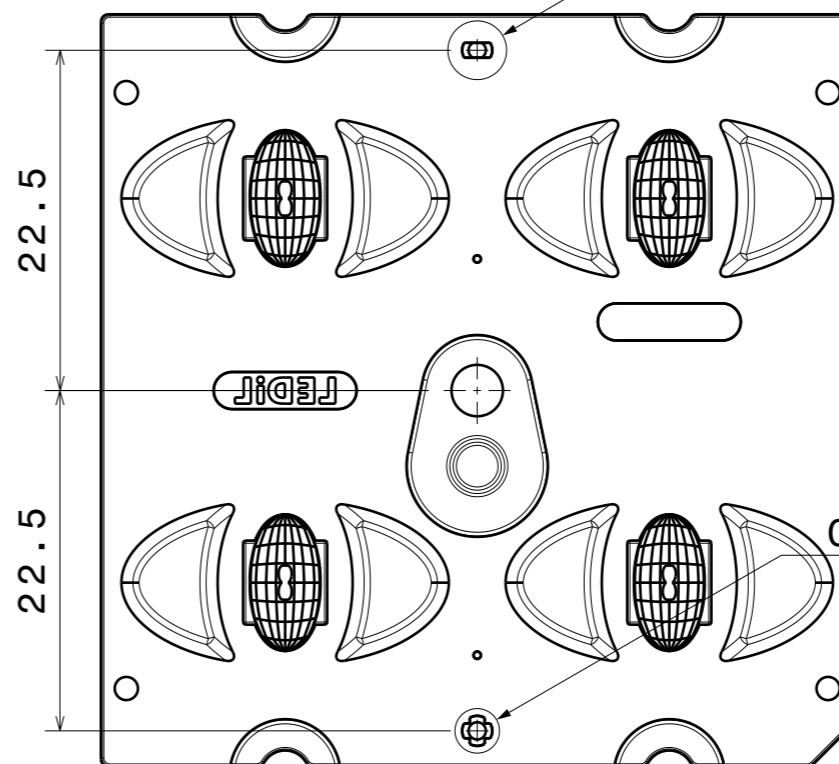
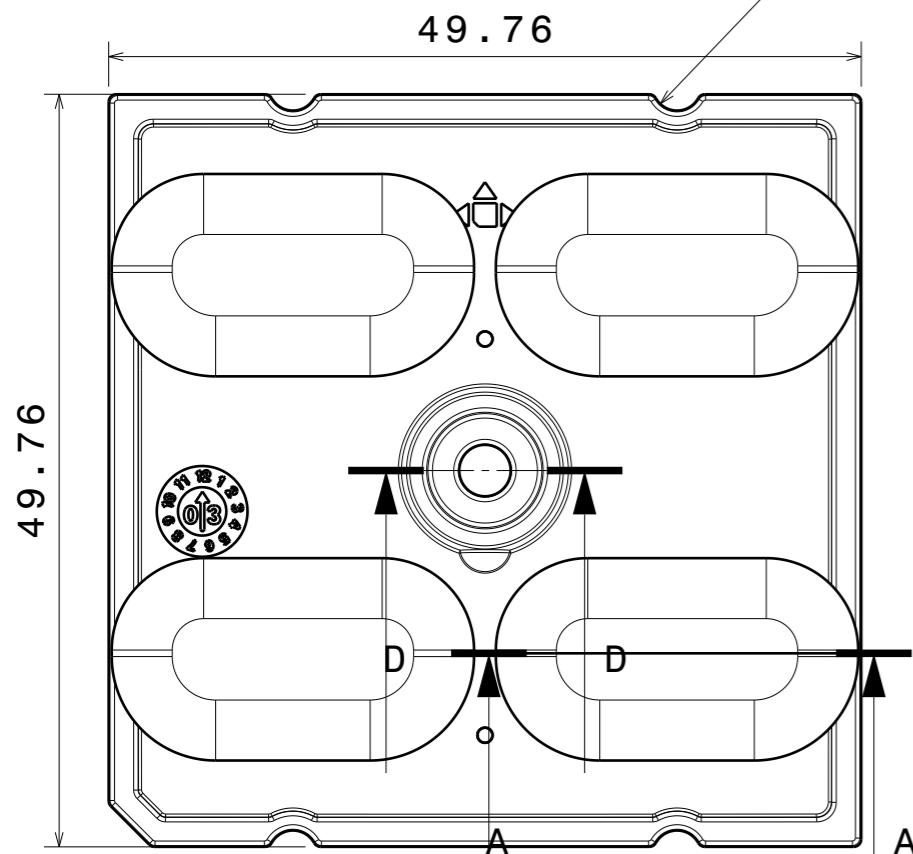
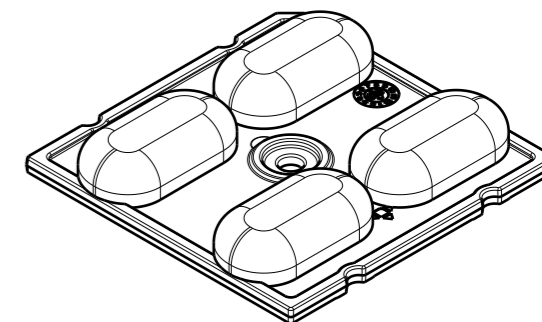
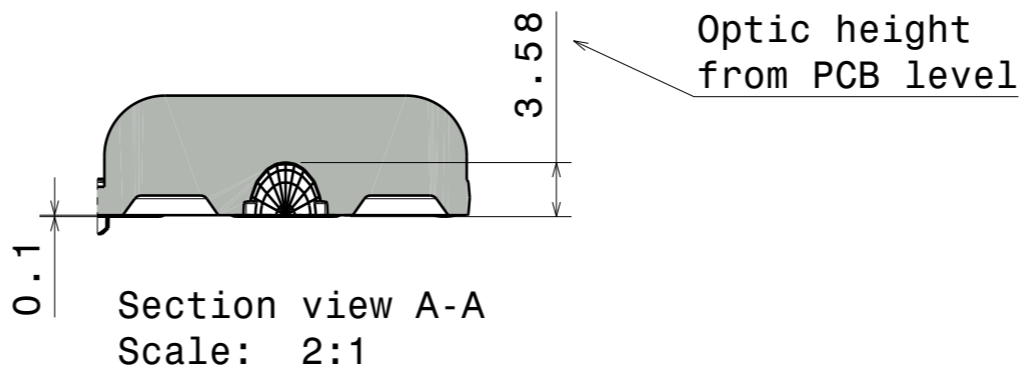
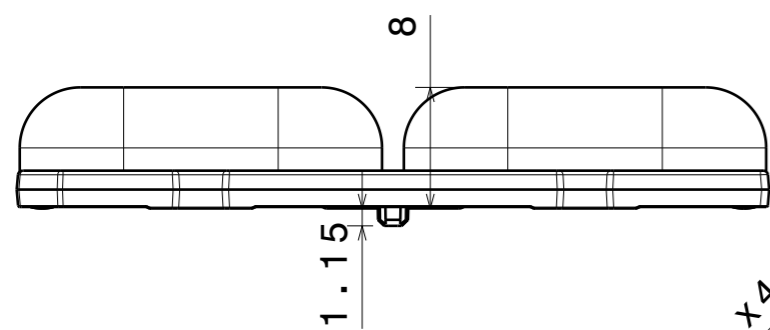


| REV | DATE |
|-----|------------|
| 002 | 15.06.2026 |



| | | |
|-----------------------------------------------------|----------|-----------------|
| PART | MATERIAL | COLOR / COATING |
| C19974_STRADA-2X2-5050-T1-M_002_MechanicalModel_002 | PMMA | Clear |

| | |
|--------------------------------------------------------------------------------------------------------------------------------------------------------------------------------------------------------------------------------------------|-----------------------------|
| MECHANICAL DRAWING | |
| PRODUCT - | |
| Plastic moulding general tolerances according to DIN 16901-130 and applies if not otherwise shown in the drawing. Silicone moulding general tolerances according to ISO 3302-1 Class M3 and applies if not otherwise shown in the drawing. | FIRST ANGLE PROJECTION: |
| SCALE 1:1 | WEIGHT - |

| |
|-----------------------------------------------------------------------------------------------------------------------------------------|
| LEDiL |
| This drawing is the property of LEDiL Oy. It may not be copied or otherwise distributed without prior written permission from LEDiL Oy. |
| A3 SHEET 1/1 |

Notes

| | |
|--|-----------------------------------------------------------------------------------------------------------------------------|
| | PCB or heatsink level. |
| | LED location |
| | Ensure LED fitting from a product specific 3D model available from www.ledil.com |
| | For more details about installation please see LEDiL Installation Guide on www.ledil.com |